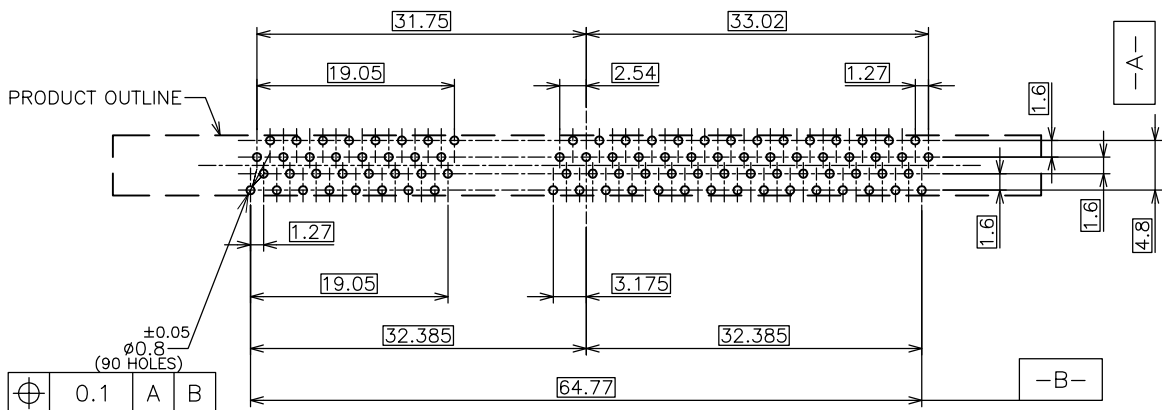
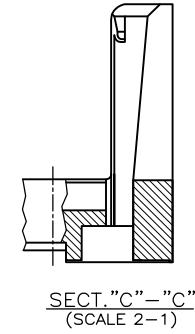
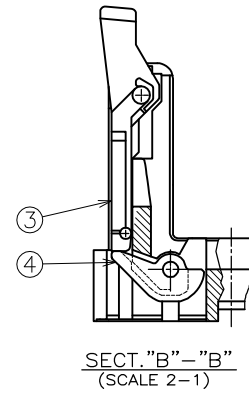
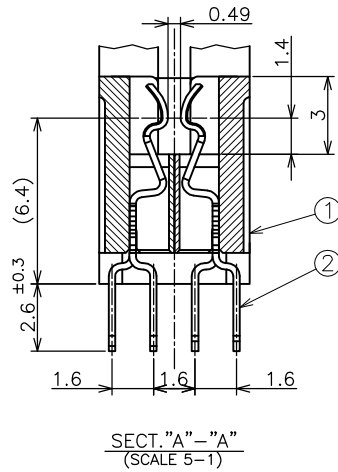
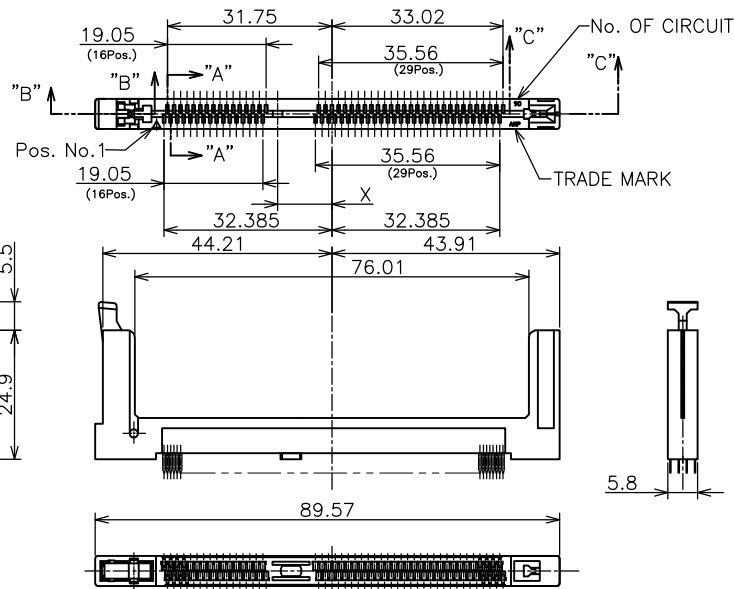
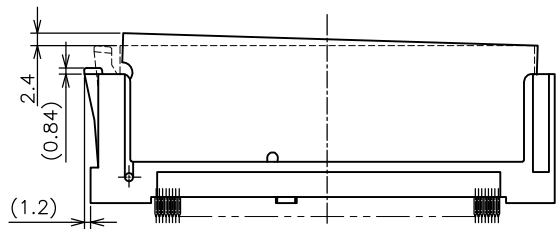


P	LTR	DESCRIPTION	DATE	DWN	APVD
0		RELEASED	16MAY05	J.Z	I.E



MOUNTING LAYOUT (VIEW FROM CONN.MOUNTING SIDE)  
(t=1.6)  
(SCALE 2-1)



DIM. OF EJECTION MEMORY MODULE

NOTES

- ▲ MATERIAL ; HOUSING : THERMOPLASTICS UL94V-0.  
CONTACT : COPPER ALLOY.  
ARM BAR & PUSH BAR : THERMOPLASTICS UL94V-0.
- ▲ FINISH ; CONTACT AREA : GOLD PLATE.  
OVER Ni PLATE.  
SOLDERING AREA ; TIN PLATE.

PARTS	No.
ARM	④
PUSH BAR	③
CONTACT	②
HOUSING	①

5.3975	NATURAL (WHITE)	GRAY		6376118-6
10.4775		BLACK	OPTION	6376118-2
		NATURAL (WHITE)	STANDARD	6376118-1
X (KEY DIMENSION)	COLOR OF PUSH BAR	COLOR OF HOUSING	APPLICATION	PARTS No.

THIS DRAWING IS A CONTROLLED DOCUMENT.

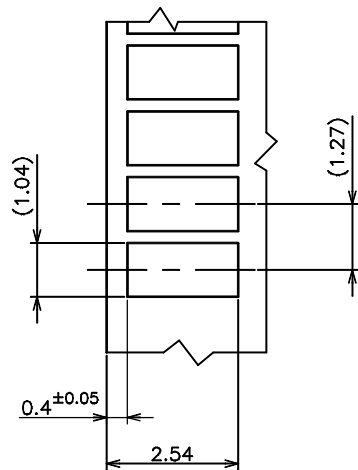
DIMENSIONS:	TOLERANCES UNLESS OTHERWISE SPECIFIED:
MM	0-PLC 10± ± 0.2
	1-PLC 30± >10 ± 0.25
	2-PLC 100± >>30 ± 0.3
	3-PLC ± ±
	4-PLC ± ±
	ANGLES ± 3'
MATERIAL	FINISH

DWN Julyee.Zhu 16MAY05		Tyco Electronics AMP K.K. Kawasaki, Japan		
CHK Takahiro.Kawamae 16MAY05		NAME		
APVD Ikuo.Enomoto 16MAY05		MIII SOCKET VERTICAL 90P DIP TYPE (DIMM SOCKET)		
PRODUCT SPEC 108-78286	SIZE A3	CAGE CODE 00779	DRAWING NO C-6376118	RESTRICTED TO
APPLICATION SPEC	WEIGHT		SCALE 1 : 1	SHEET 1 OF 2
CUSTOMER DRAWING	REV 0			

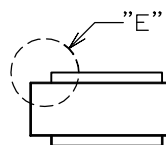
P	LTR	DESCRIPTION	DATE	DWN	APVD
-	-	SEE SHEET 1	-	-	-



COMPONENT AREA

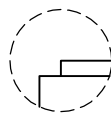


DETAIL "D"

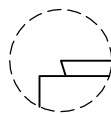


"E"

5.3975	6376118-6
10.4775	6376118-2
	6376118-1
X (KEY DIMENSION)	PARTS No.



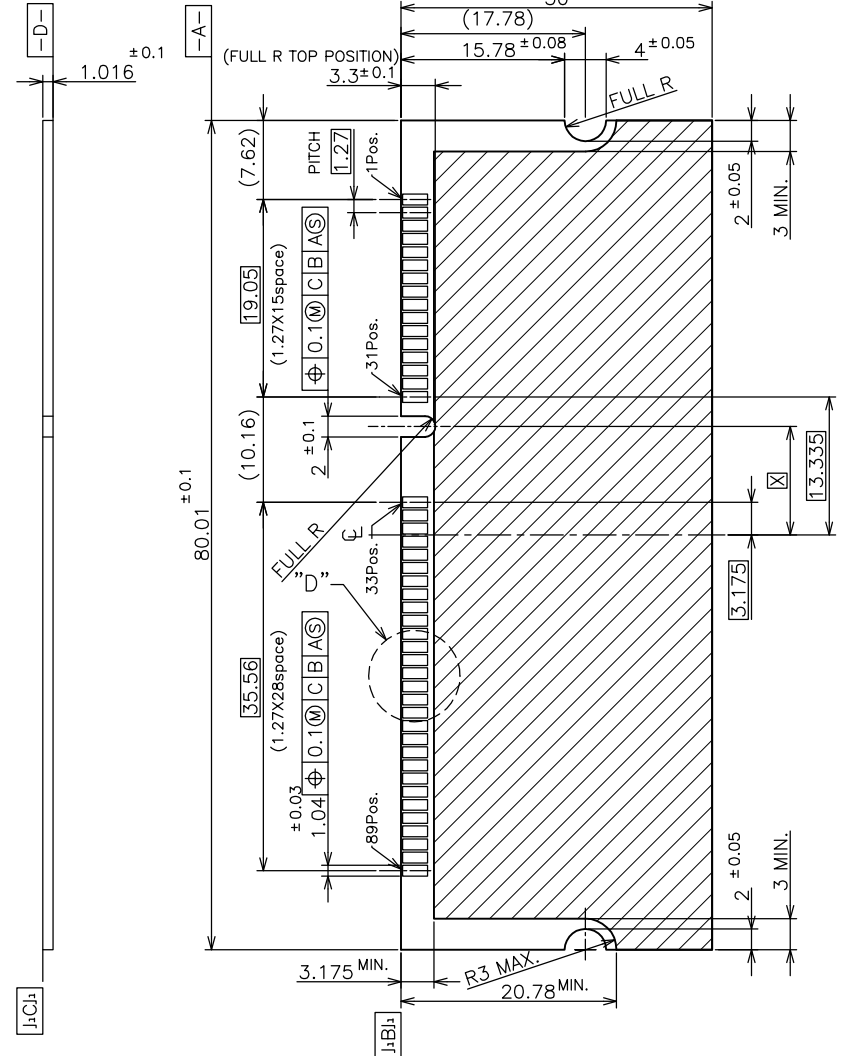
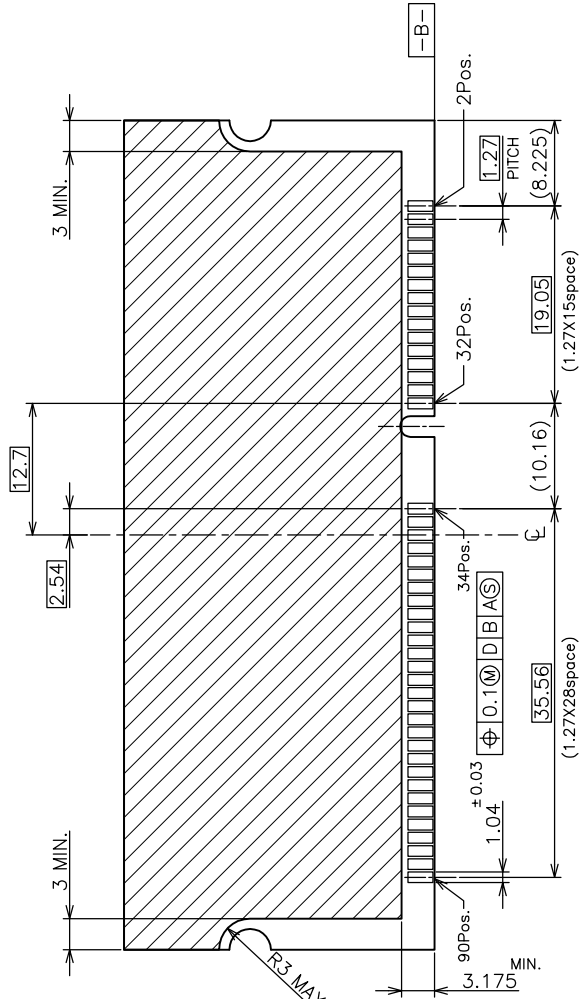
GOOD



NO GOOD

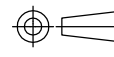
DETAIL "E"

DISPOSE OF ETCHING FOR PCB PATTERN



THIS DRAWING IS A CONTROLLED DOCUMENT.

DIMENSIONS: MM



TOLERANCES UNLESS OTHERWISE SPECIFIED:

- 0 PLC ##
- 1 PLC ##
- 2 PLC ##
- 3 PLC ##
- 4 PLC ##
- ANGLES ± 3'
- FINISH

MATERIAL

DWN
CHK
APVD
PRODUCT SPEC
APPLICATION SPEC
WEIGHT
CUSTOMER DRAWING

**tyco**  
**Electronics**

Tyco Electronics AMP K.K.  
Kawasaki, Japan

NAME

MIII SOCKET  
VERTICAL 90P DIP TYPE  
RECOMMENDED P.C.B LAYOUT

SIZE	CAGE CODE	DRAWING NO	RESTRICTED TO
A3	00779	C-6376118	

SCALE	SHEET	OF	REV
2 : 1	2	2	0