

MATERIALS AND FINISHES:

COUPLING NUT ZINC ALLOY
PLATED NICKEL

BODY BRASS
PLATED NICKEL

INSULATOR TEFLON

CONTACT BRASS
PLATED GOLD

CRIMP TUBE BRASS
PLATED NICKEL

RETAINING RING BRASS
PLATED NICKEL

SPRING WASHER BERYLLIUM COPPER
PLATED NICKEL

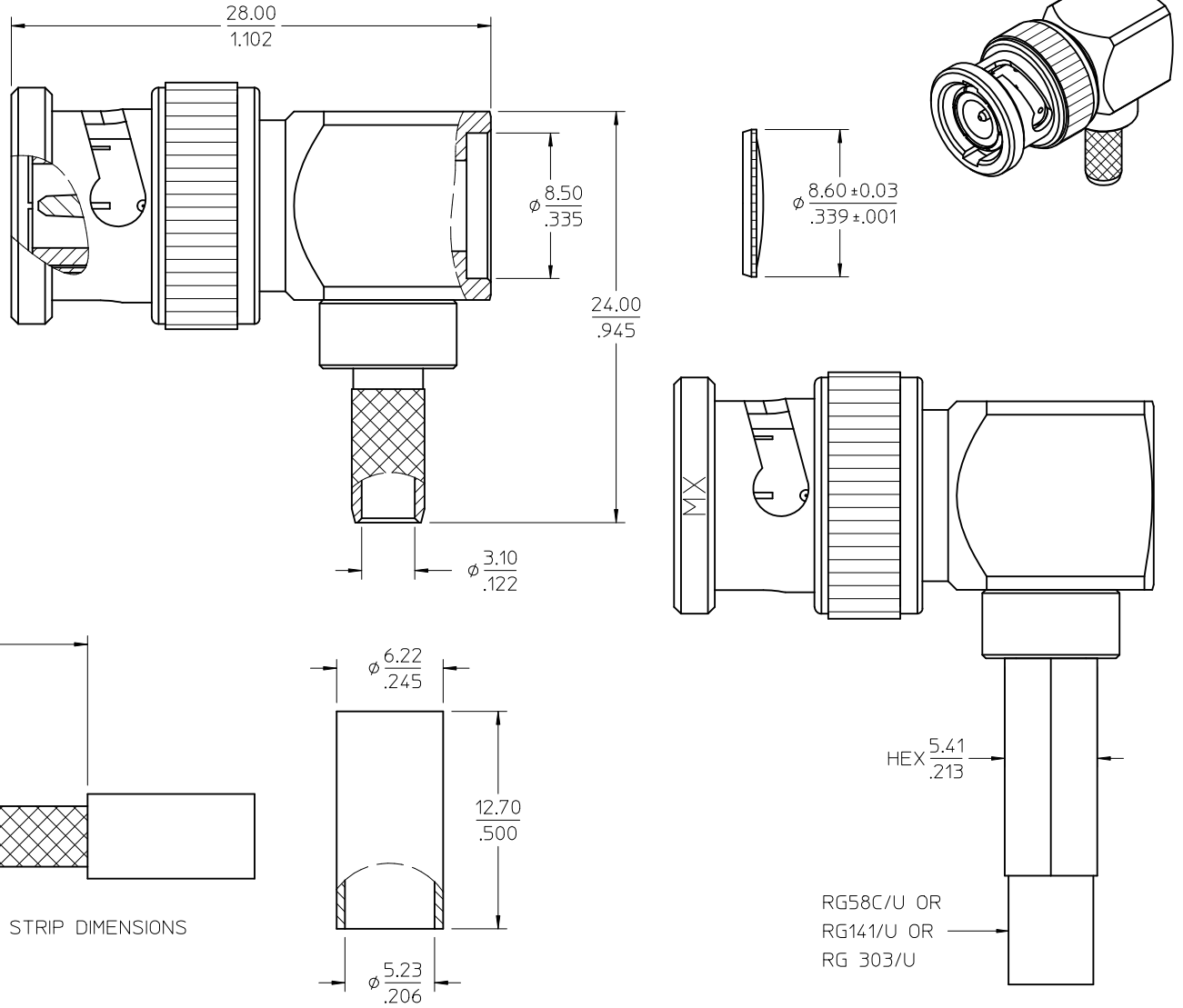
WASHER BRASS
PLATED NICKEL

GASKET SILICONE RUBBER

COVER BRASS
PLATED NICKEL

PART # 73100-0015

AS-73597-0010	ASSEMBLY INSTRUCTION
MIL-STD-348A, FIG. 301.1	INTERFACE
SPECIFICATION	DESCRIPTION



RECOMMENDED CABLE STRIP DIMENSIONS

CHG:REDRAW EC NO: URF-2012-0102 DRWN:RYEH CHKD: APPR:MHUANG REV A1	DESCRIPTION 2011/08/25	QUALITY SYMBOLS ▽=0 ▽=0	GENERAL TOLERANCES (UNLESS SPECIFIED)		DIMENSION STYLE MM/IN		SCALE 2.5:1	DESIGN UNITS METRIC	THIRD ANGLE PROJECTION
			mm	INCH	DRAWN BY RYEH	DATE 2011/08/16	TITLE BNC PLUG R/A FOR RG58C/U, RG141/U, RG303/U BNC-P/CABLE		
			4 PLACES	± ---	± ---	CHECKED BY KERRIE	DATE 2011/08/16	MOLEX INCORPORATED	
			3 PLACES	± ---	± ---	APPROVED BY MHUANG	DATE 2011/08/25	SD-73100-0015	
			2 PLACES	± ---	± ---	MATERIAL NO. 731000015	DOCUMENT NO.	SHEET NO. 1 OF 1	
			1 PLACE	± ---	± ---	THIS DRAWING CONTAINS INFORMATION THAT IS PROPRIETARY TO MOLEX INCORPORATED AND SHOULD NOT BE USED WITHOUT WRITTEN PERMISSION			
			ANGULAR ± 2 °		SIZE C				
DRAFT WHERE APPLICABLE MUST REMAIN WITHIN DIMENSIONS									