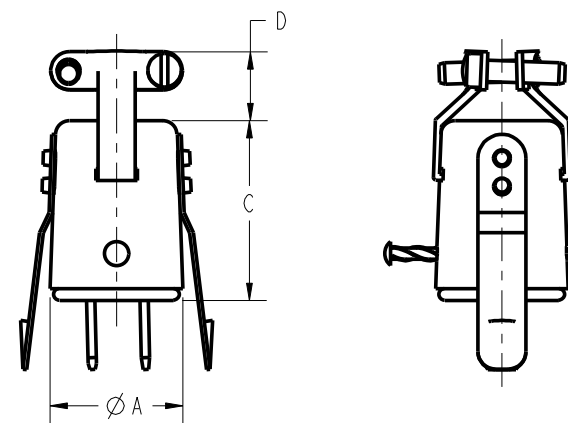
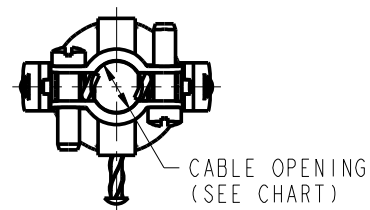
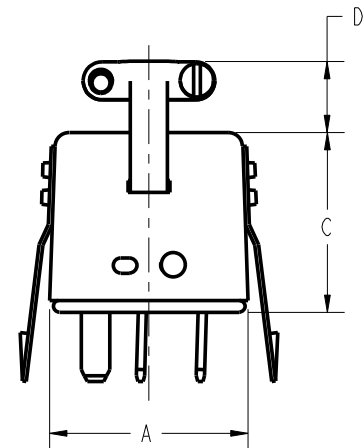
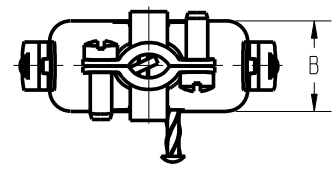


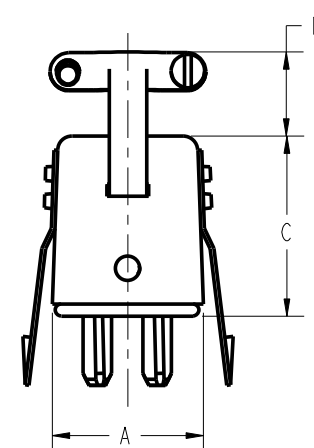
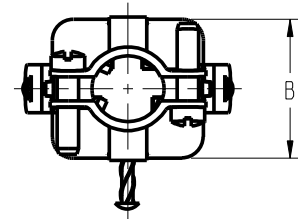
DRAWING REVISIONS			
REV	DOCUMENT	APP	DATE
1	DO 06-1067		



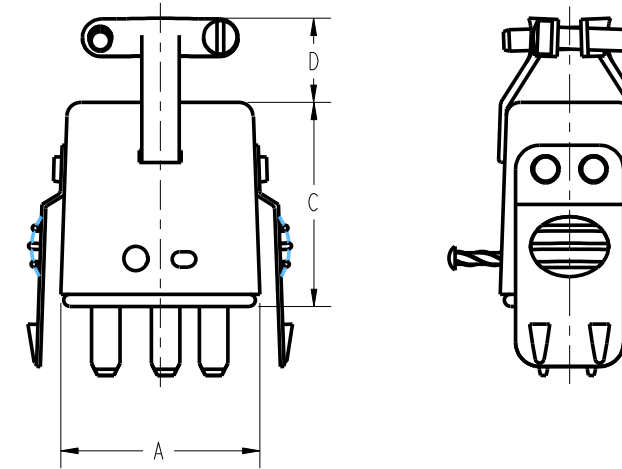
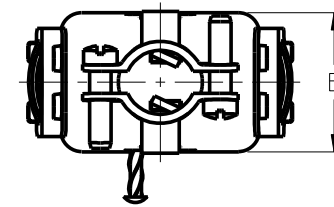
TYPE 1



TYPE 2



TYPE 3



TYPE 4

PART NUMBER	TYPE	A REF	B REF	C REF	D REF	CABLE OPENING REF	FACTORY NUMBER
P-302H-CCT-L	1	$\varnothing$ .691 [ $\varnothing$ 17.55]	-	.953 [24.21]	.359 [9.12]	.375 [9.53]	703 01 02 003
P-303H-CCT-L	2	1.034 [26.26]	.472 [11.99]	.953 [24.21]	.359 [9.12]	.313 [7.95]	703 01 03 003
P-304H-CCT-L	3	.786 [19.96]	.724 [18.39]	.953 [24.21]	.468 [11.89]	.375 [9.53]	703 01 04 003
P-306H-CCT-L	4	1.036 [26.31]	.724 [18.39]	1.078 [27.38]	.484 [12.29]	.438 [11.13]	703 01 06 003

NOTES:

1. SPECIFICATIONS:

ELECTRICAL:  
 OPERATING VOLTAGE: 250 VAC RMS  
 CURRENT RATING: 10 AMPS  
 CONTACT RESISTANCE: 16 MILLIOHMS MAX

INSULATOR, CAP, RIVET: GENERAL PURPOSE PHENOLIC, BLACK

CONTACT: BRASS, MATTE TIN

BRACKET, SCREW, LOCK, DRIVE PIN: STEEL, ZINC WITH CLEAR TRIVALENT CHROMATE

ENVIRONMENTAL:  
 OPERATING TEMPERATURE: UP TO +105°C

TERMINATION: SOLDER

2. DIMENSIONS IN [ ] ARE IN MILLIMETERS

3. ALL DIMENSIONS ARE REFERENCE

RoHS COMPLIANT

MODELED BY:

UNITS <b>ENGLISH INCHES</b>	PRO/E	<b>Cinch</b>	1700 FINLEY RD LOMBARD, IL. 60148
DO NOT SCALE DRAWING	DRAWN BY JIMENEZ	DATE 6/19/06	TITLE PLUG ASSEMBLY, CABLE CLAMP TOP W/LOCKS
UNLESS OTHERWISE SPECIFIED: ALL DIMENSIONS ARE IN INCHES	DESIGN ENGINEER A. BALI	6/19/06	MATERIAL
FILLET/RADII .02 MAX	DESIGN ENGINEERING MGR.		CONTROL SPEC NUMBER 06-1067
TOLERANCES X ± .1 XX ± .01 XXX ± .005 ANGULAR ± .5°	MFG. ENGINEERING		MATERIAL SPEC NUMBER
THIS DOCUMENT IS THE PROPERTY OF CINCH. NEITHER THIS DOCUMENT NOR ANY OF THE INFORMATION CONTAINED IN IT MAY BE DUPLICATED OR DISCLOSED WITHOUT PRIOR WRITTEN CONSENT OF CINCH.	QUALITY ASSURANCE		FINISH
		CAD FILE NUMBER P302HCCTL	PROJECT NUMBER C14789-1
		CAGE IDENT NO. SIZE 71785 B	DRAWING NUMBER P-302H-CCT-L
		SCALE 1:1	SHEET 1 OF 1